



Cabinet Specification sheet

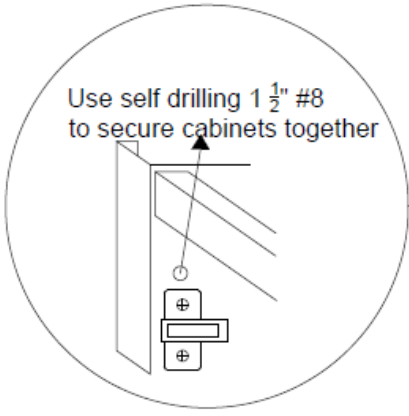
Installation Guide

Customer Support:

www.steelkitchenweb.com

info@steelkitchenweb.com

Use self drilling 1 1/2" #8 to secure cabinets together



WARNING

Do not over tight handle screws

MOUNTING SCREWS NOT INCLUDED



UPPER 30" HIGH CABINET 82 5/8"
 UPPER 36" HIGH CABINET 88 5/8"
 UPPER 42" HIGH CABINET 94 5/8"

1.500

18.000

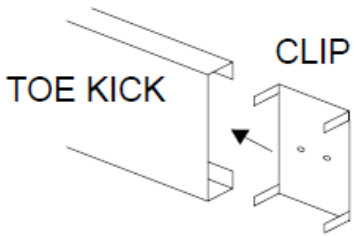
34.500

MOUNTING SCREWS NOT INCLUDED



33 1/8"/31 1/8" ADA

FLOOR TO BOTTOM OF HANGING RAIL

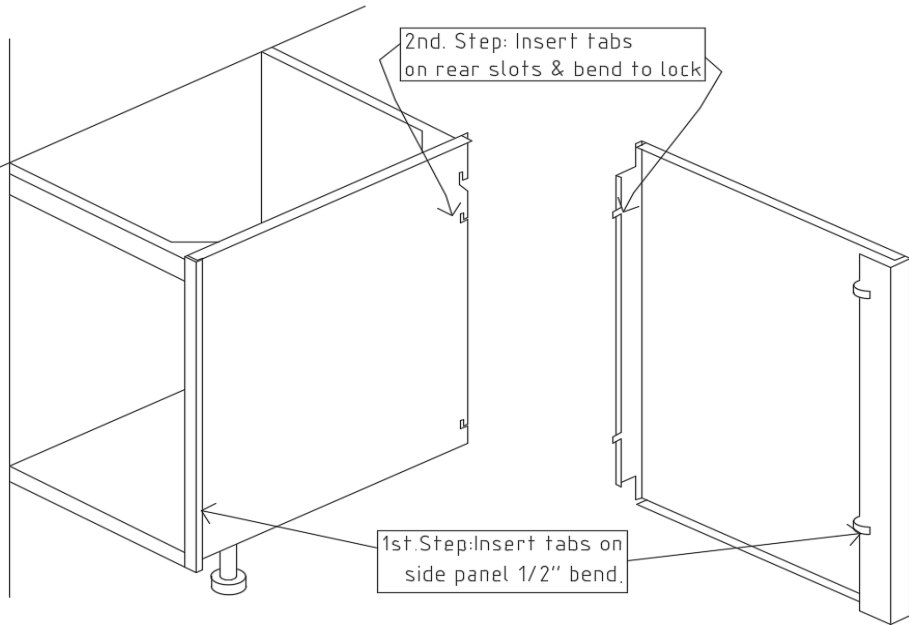


SLIDE IN CLIP BEFORE INTALLING TOE KICK.

STEEL KITCHEN ACCREDITED BUSINESS
 www.steelkitchenweb.com
 Ph: 305-999-1543
 info@steelkitchenweb.com

Installation guide: Indoor/Outdoor (ADA Compliance available)
 Material: stainless steel 304 20 gauge #4 brushed finish

Important: Install finished end panel before installing base cabinet.



2nd. Step: Insert tabs on rear slots & bend to lock

1st. Step: Insert tabs on side panel 1/2" bend.

Available standard sizes for uppers:

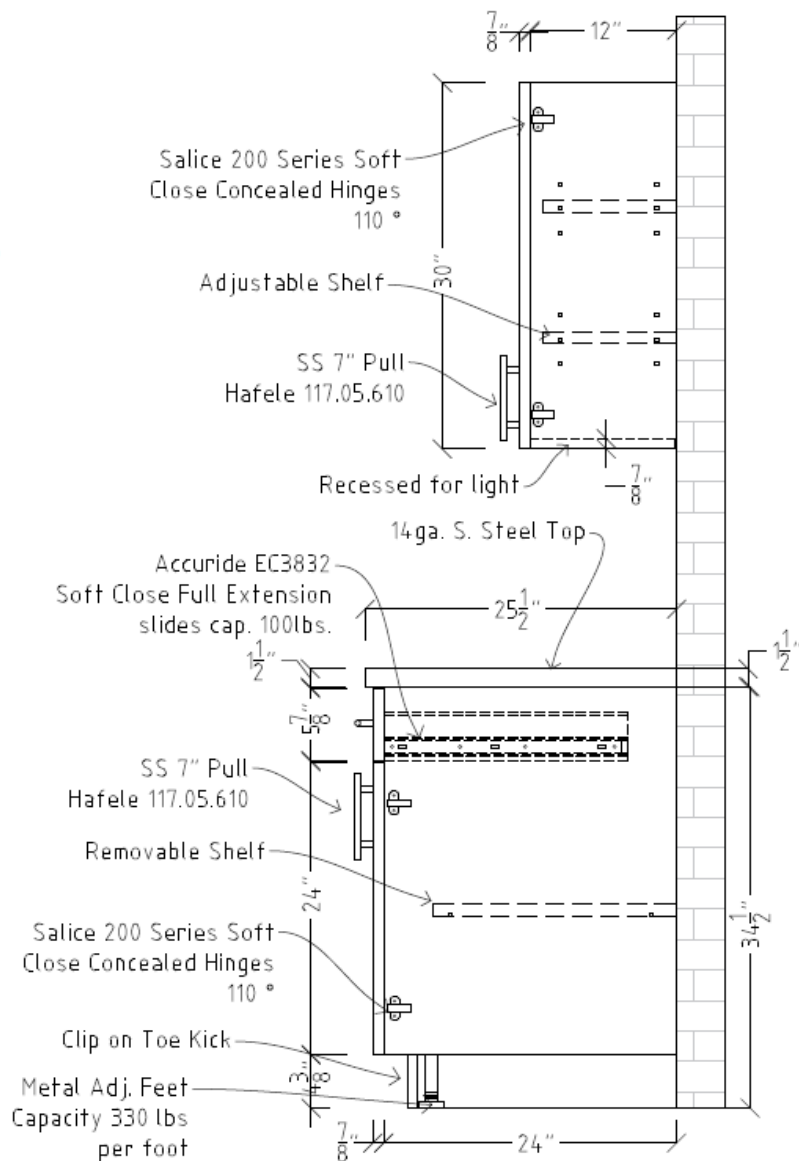
Height: 12"- 42" w/3" increment

Width: 12"- 48" w/3" increment

Available standard sizes for lowers:

Height: 34 1/2" adj. or ADA 32 1/2" adj.

Width: 12"- 48" w/3" increment (drawers up to 42")



www.steelkitchenweb.com
Ph: 305-999-1543
info@steelkitchenweb.com

Line: Indoor (ADA Compliance available)

Material: stainless steel 304 20 gauge #4 brushed finish

Cabinet specification sheet - Indoor

Material specs:

* All 304 stainless steel 20 Gauge # 4 brushed finish (18 ga. avail.)

Hardware:

- Stainless Steel Drawers with 20" Accuride EC3832 full extension slides soft close, rated at 100lbs.
- Salice 200 Series soft close concealed adjustable hinges, opens 110° w/caps
- Metal Adjustable feet, rated at 330lbs per foot.
- Stainless steel self drilling screws # 8 x1/2 & 10 x 5/8
- Stainless steel hanging rail installation system.
- 1/2 by 3/16 clear door bumpers
- Metal Clip on adjustable toe kick

Shelves:

- Lower Cabinets – removable, not adjustable.
- Upper Cabinets – removable and adjustable.

Doors:

- Double face with high density foam inside (foam can be removed if necessary).

Standard Dimensions:

Lowers:

- 34 1/2" High (1 1/2" adjustable). ADA compliance 32 1/2" High (same adj.)
- 24 7/8" Deep, including door (3/4" thick).
- 9" – 48" wide with 3" increment and drawers up to 42"

Drawers:

- Shallow drawers – 3" high by 20" deep
- Deep drawers – 6" high by 20" deep

Uppers:

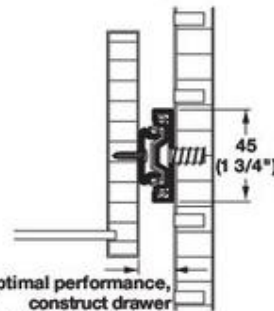
- 12" – 42" high with 3" increment.
- 09" – 48" wide with 3" increment.
- 12 7/8" Deep, including door (3/4" thick)

If you have questions regarding our products or need technical assistance, please call customer service at 305-999-1543.

Accuride Full Extension, Telescopic, Easy Close

Weight capacity: 45 kg (100 lbs.)/pair

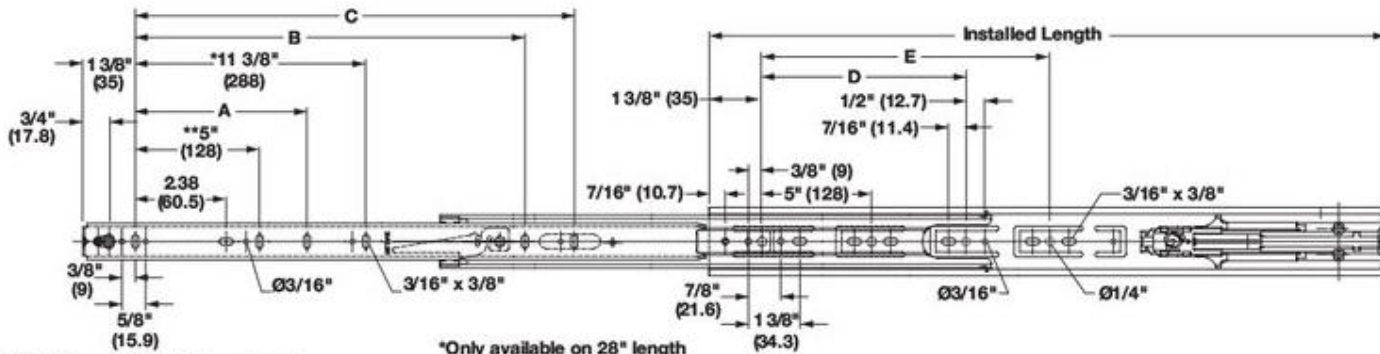
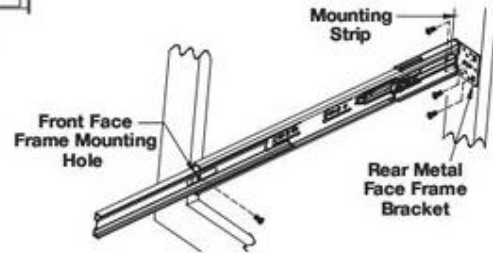
- For drawers up to 406 mm (16") wide
- Easy close brings drawer to a gradual soft close
- Lever disconnect for easy removal and re-insertion
- Front face frame mounting hole
- Not intended for lateral file drawer applications



For optimal performance, construct drawer 27 mm (1 1/16") less than cabinet opening



cam
DRAWER
ADJUST



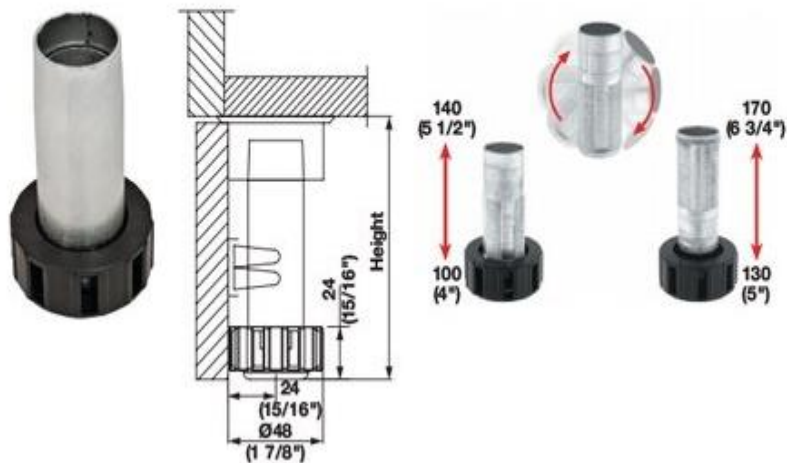
*Only available on 28" length
**Not available on 14" length

3832EC - Side Mounted

Material: Steel, bright zinc-plated; Bearings: Steel

Installed Length	Distance					Item No.	
	A	B	C	D	E	Bulk Pack	Shop Pack
350 (14")*	-	206 (8 1/8")	-	-	-	432.23.936	432.23.935
400 (16")	-	257 (10 1/8")	-	-	-	432.23.941	432.23.940
450 (18")	-	305 (12")	-	224 (8 3/4")	-	432.23.946	432.23.945
500 (20")	-	320 (12 5/8")	-	224 (8 3/4")	-	432.23.951	432.23.950
550 (22")	-	407 (16 1/16")	320 (12 5/8")	224 (8 3/4")	-	432.23.956	432.23.955
600 (24")	224 (8 3/4")	-	416 (16 3/8")	224 (8 3/4")	352 (13 7/8")	432.23.961	432.23.960
650 (26")	224 (8 3/4")	-	416 (16 3/8")	224 (8 3/4")	352 (13 7/8")	432.23.966	432.23.965
700 (28")	224 (8 3/4")	-	554 (21 7/16")	224 (8 3/4")	352 (13 7/8")	432.23.971	432.23.970





Adjustment Foot - XT

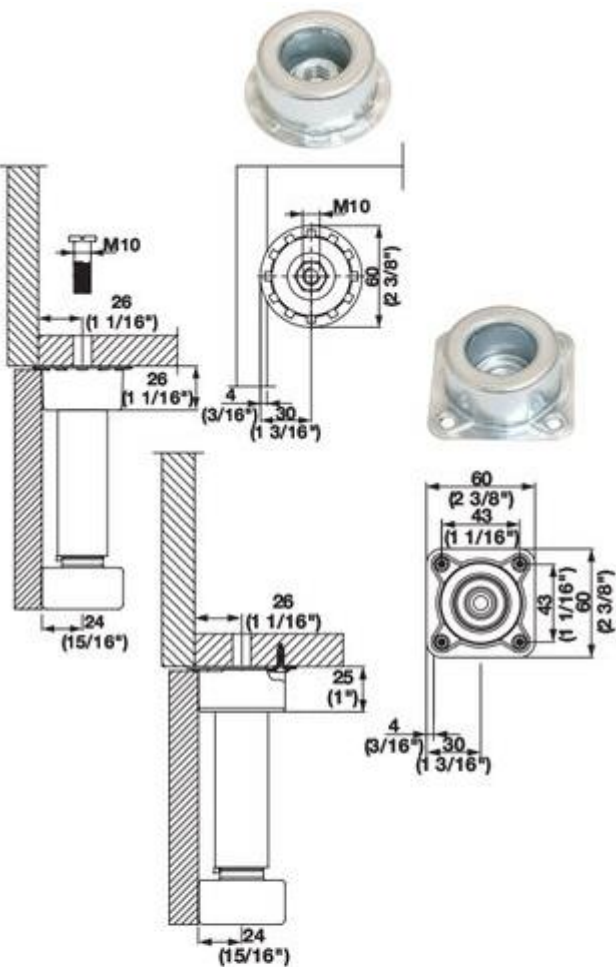
- With reversible inner threaded tube to create 2 height ranges: 100 mm - 140 mm (4" - 5 1/2")
 130 mm - 170 mm (5" - 6 3/4")
- Choose between plastic or metal mounting sockets below
 Shaft Ø28 mm
 Weight capacity: 150 kg (330 lbs. per foot)

Material: Shaft: Steel; Foot: Plastic; Color: black

	Item No.
	637.59.932

Note

Height ranges include mounting socket.
 See page **6.24B** for plinth clips and M10 attachment screw.



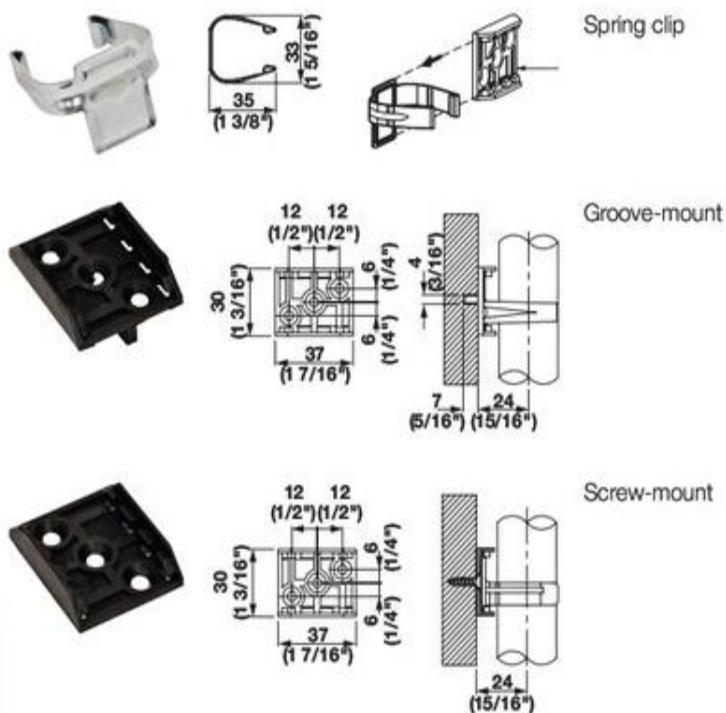
Mounting Sockets - XT Metal

- 2 versions to choose from
- Square is screw-mounted
- Round is for through-mounting only using M10 attachment screw, see page **6.24B**

Material: Steel

Version	Item No.
round	637.19.020
square	637.19.060

Casters, Feet, Legs, Table Fittings
Base Cabinet Feet



Plinth Clips for Ø28 mm Shafts

Material: Spring Clip: Steel; Adapter: Plastic; Color: black

Description	Item No.
spring clip	637.19.941
groove-mount adapter	637.19.942
screw-mount adapter	637.42.020

Note

Order Spring Clip and choose between screw-mounted or groove-mounted adapters

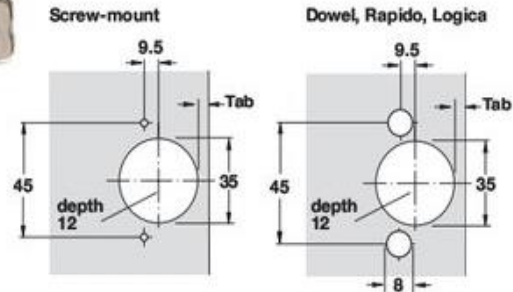
Salice

soft&silent)))



200 Series Silentia+

- New soft close adjustment switch
- Impervious to temperature extremes
- Door thickness: 18 - 35 mm (11/16" - 1 3/8")
- Tab: 3 - 9 mm
- Exceeds ANSI/BHMA standards. A156.9 2010



Material: Steel; Finish: nickel-plated

Opening Angle	Mounting	Overlay	Hinge Arm	Model	Item No.
110°	Screw	Full		C7P6AE9	329.15.400
110°	Screw	1/2"		C7P6DE9	329.17.106
110°	Screw	Half		C7P6GE9	329.15.402
110°	Screw	Inset		C7P6PE9	329.15.404

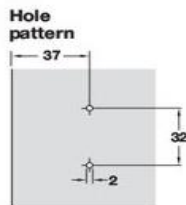
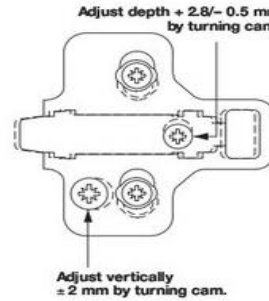
Hinges and Stays Concealed Hinges



Salice Mounting Plates

Automatic Adjustment Response feature: a slight turn of the depth adjustment cam or vertical cam quickly positions hinge – eliminating need for manual positioning by loosening screws.

Vertical and depth adjustments made with Pozi drive #2.



Clip

- Screw-mounted
- Spring lever
- With vertical adjustment and depth adjustment with cam

Material: Steel; Finish: nickel-plated

Height	Model	Item No.
0	BAR3L09F	329.68.000
3	BAR3L39F	329.68.003
6	BAR3L69F	329.68.006



Available standard sizes for uppers:

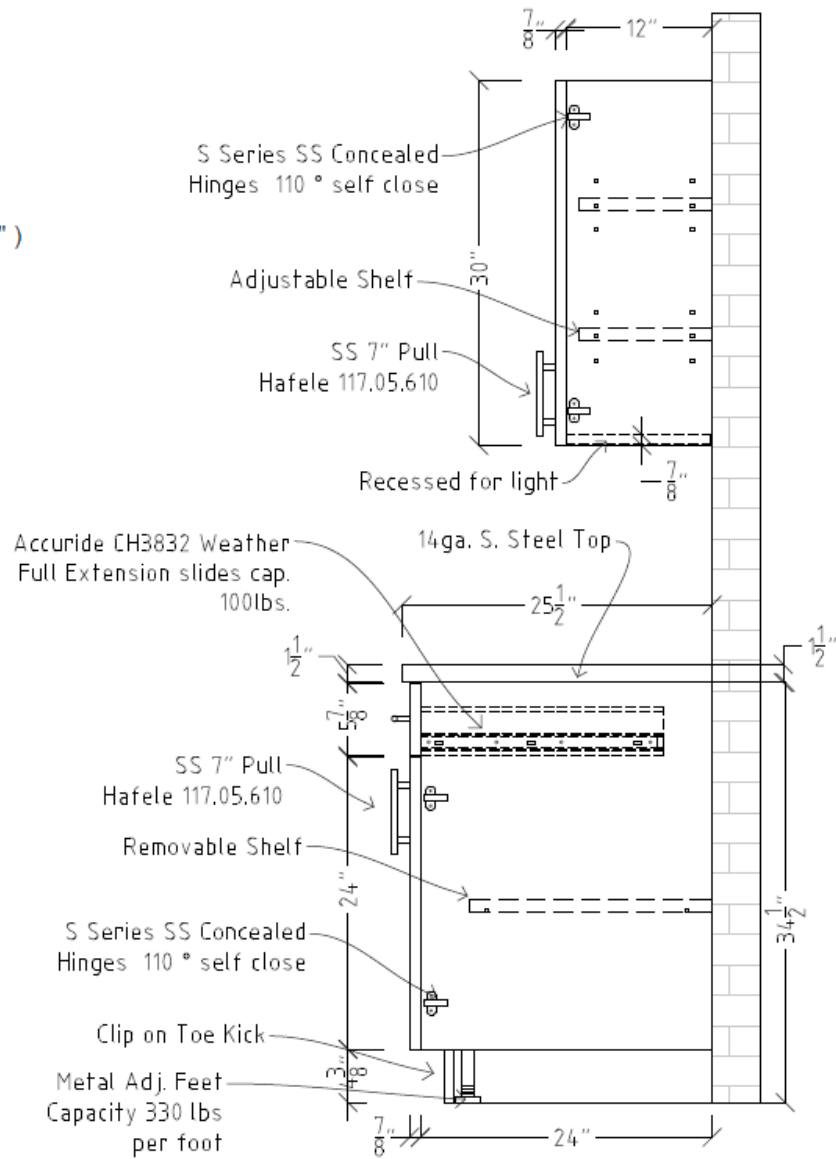
Height: 12" - 42" w/3" increment

Width: 12" - 48" w/3" increment

Available standard sizes for lowers:

Height: 34 1/2" adj. or ADA 32 1/2" adj.

Width: 12" - 48" w/3" increment (drawers up to 42")



www.steelkitchenweb.com
Ph: 305-999-1543
info@steelkitchenweb.com

Line: Outdoor (ADA Compliance available)

Material: stainless steel 304 20 gauge #4 brushed finish

Cabinet specification sheet – Outdoor

Material specs:

* All 304 stainless steel 20 Gauge # 4 brushed finish (18 ga. avail.)

Hardware:

- Stainless Steel Drawers with 20" Accuride CH3832 weather full extension slides soft close, rated at 100lbs.
- S Series 304 S. Steel self close concealed adjustable hinges, opens 100°
- Metal Adjustable feet, rated at 330lbs per foot.
- Stainless steel self drilling screws # 8 x1/2 & 10 x 5/8
- Stainless steel hanging rail installation system.
- 1/2 by 3/16 clear door bumpers
- Metal Clip on adjustable toe kick

Shelves:

- Lower Cabinets – removable, not adjustable.
- Upper Cabinets – removable and adjustable.

Doors:

- Double face with high density foam inside (foam can be removed if necessary).

Standard Dimensions:

Lowers:

- 34 1/2" High (1 1/2" adjustable). ADA compliance 32 1/2" High (same adj.)
- 24 7/8" Deep, including door (3/4" thick).
- 9" – 48" wide with 3" increment and drawers up to 42"

Drawers:

- Shallow drawers – 3" high by 20" deep
- Deep drawers – 6" high by 20" deep

Uppers:

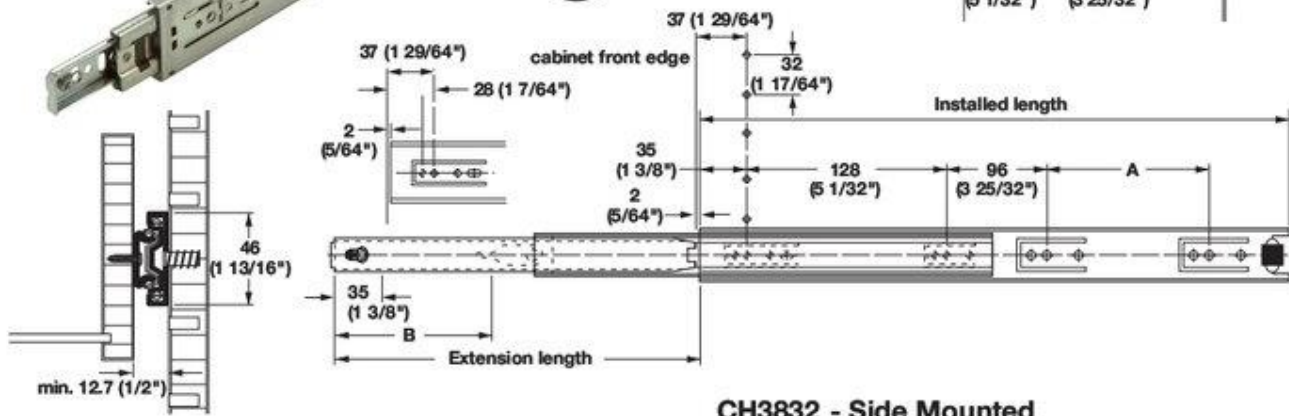
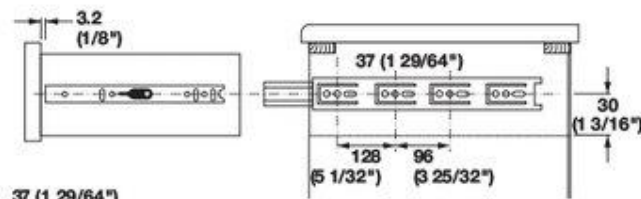
- 12" – 42" high with 3" increment.
- 09" – 48" wide with 3" increment.
- 12 7/8" Deep, including door (3/4" thick)

If you have questions regarding our products or need technical assistance, please call customer service at 305-999-1543.

**Accuride Full Extension, Telescopic,
Weather Resistant**

Weight capacity: 45 kg (100 lbs./pair)

- For drawers up to 610 mm (24") wide
- Hold-in detent
- Lever disconnect
- Stainless steel ball bearings, retainer and rivets
- Features low profile for shallow drawers
- BHMA certified to Grade 1 HD-100
- Front face frame mounting hole



CH3832 - Side Mounted


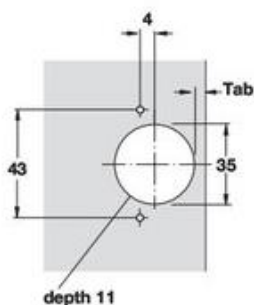
Material: Steel, H-coat

Installed and Extension Length	Item No.
254 (10")	422.04.825
305 (12")	422.04.830
356 (14")	422.04.835
406 (16")	422.04.840
457 (18")	422.04.845
508 (20")	422.04.850
559 (22")	422.04.855
610 (24")	422.04.860

S-Series

- Pivot pin for hinge arm is steel, sealed against corrosion
- S-Series hinges will only work with S-Series mounting plates
- Door thickness 15 to 20 mm (9/16" - 13/16")
- Side panel thickness from 16 mm (5/8")
- Tab: 3 - 5 mm


Opening angle: **100°**

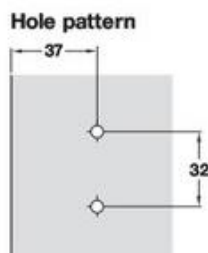
Stainless Steel Hinge

- Screw mount
- Self-closing

Material: 304 Stainless Steel, polished

Mounting	Hinge arm	Hinge type	Item No.
Full overlay		straight	16
Half overlay		9 mm crank	6

Supplied With
Stainless Steel screws



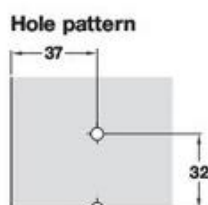
Mounting Plate, flanged

- Screw-mount

Material: 304 Stainless Steel, polished

Height	Hinge type	Item No.
2	2	327.30.000

Supplied With
Stainless Steel screws



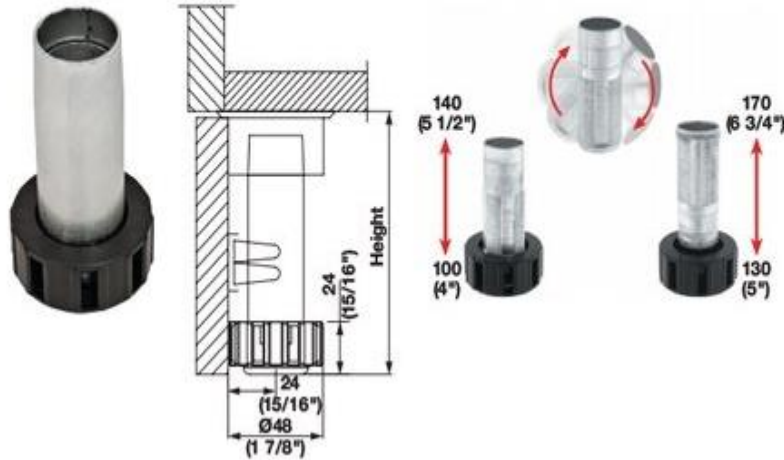
Mounting Plate, flanged

- Screw-mount, with vertical adjustment in oblong mounting holes

Material: 304 Stainless Steel, polished

Height	Hinge type	Item No.
2	2	327.30.030

Supplied With



Adjustment Foot - XT

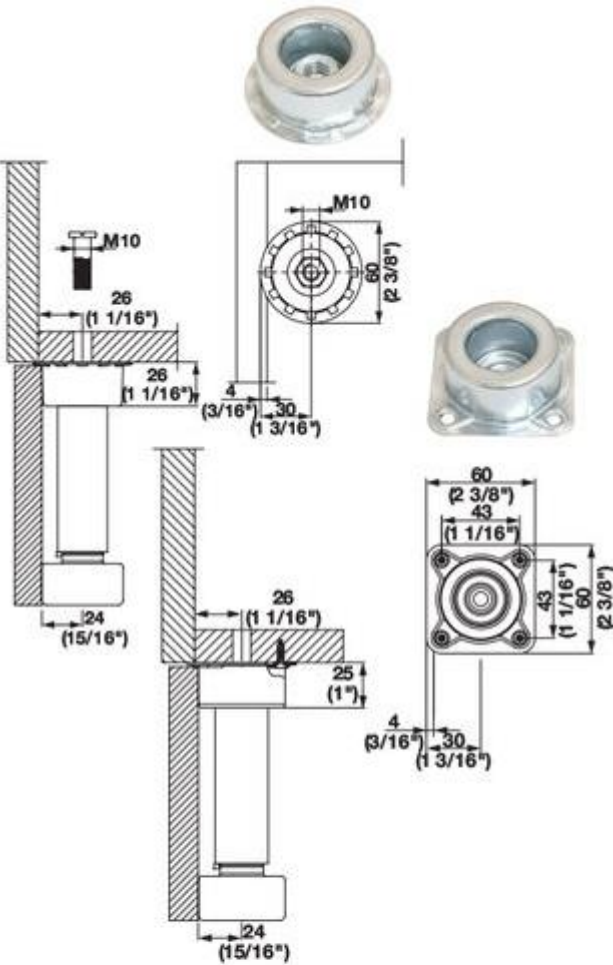
- With reversible inner threaded tube to create 2 height ranges: 100 mm - 140 mm (4" - 5 1/2")
 130 mm - 170 mm (5" - 6 3/4")
- Choose between plastic or metal mounting sockets below
 Shaft Ø28 mm
 Weight capacity: 150 kg (330 lbs. per foot)

Material: Shaft: Steel; Foot: Plastic; Color: black

Item No.
637.59.932

Note

Height ranges include mounting socket.
 See page **6.24B** for plinth clips and M10 attachment screw.



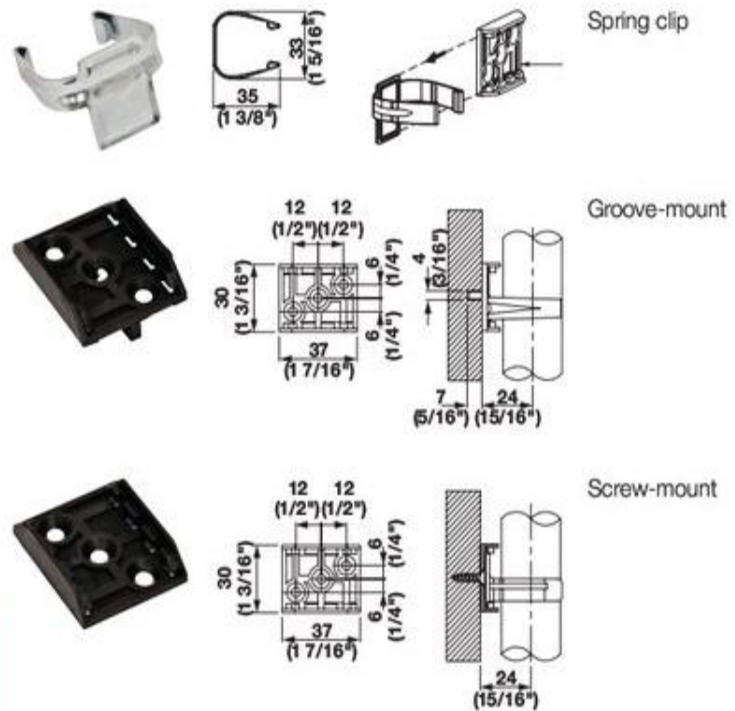
Mounting Sockets - XT Metal

- 2 versions to choose from
- Square is screw-mounted
- Round is for through-mounting only using M10 attachment screw, see page **6.24B**

Material: Steel

Version	Item No.
round	637.19.020
square	637.19.060

Casters, Feet, Legs, Table Fittings
Base Cabinet Feet



Plinth Clips for Ø28 mm Shafts

Material: Spring Clip: Steel; Adapter: Plastic; Color: black

Description	Item No.
spring clip	637.19.941
groove-mount adapter	637.19.942
screw-mount adapter	637.42.020

Note

Order Spring Clip and choose between screw-mounted or groove-mounted adapters