



# **Cabinet Specification sheet**

## **Installation Guide**

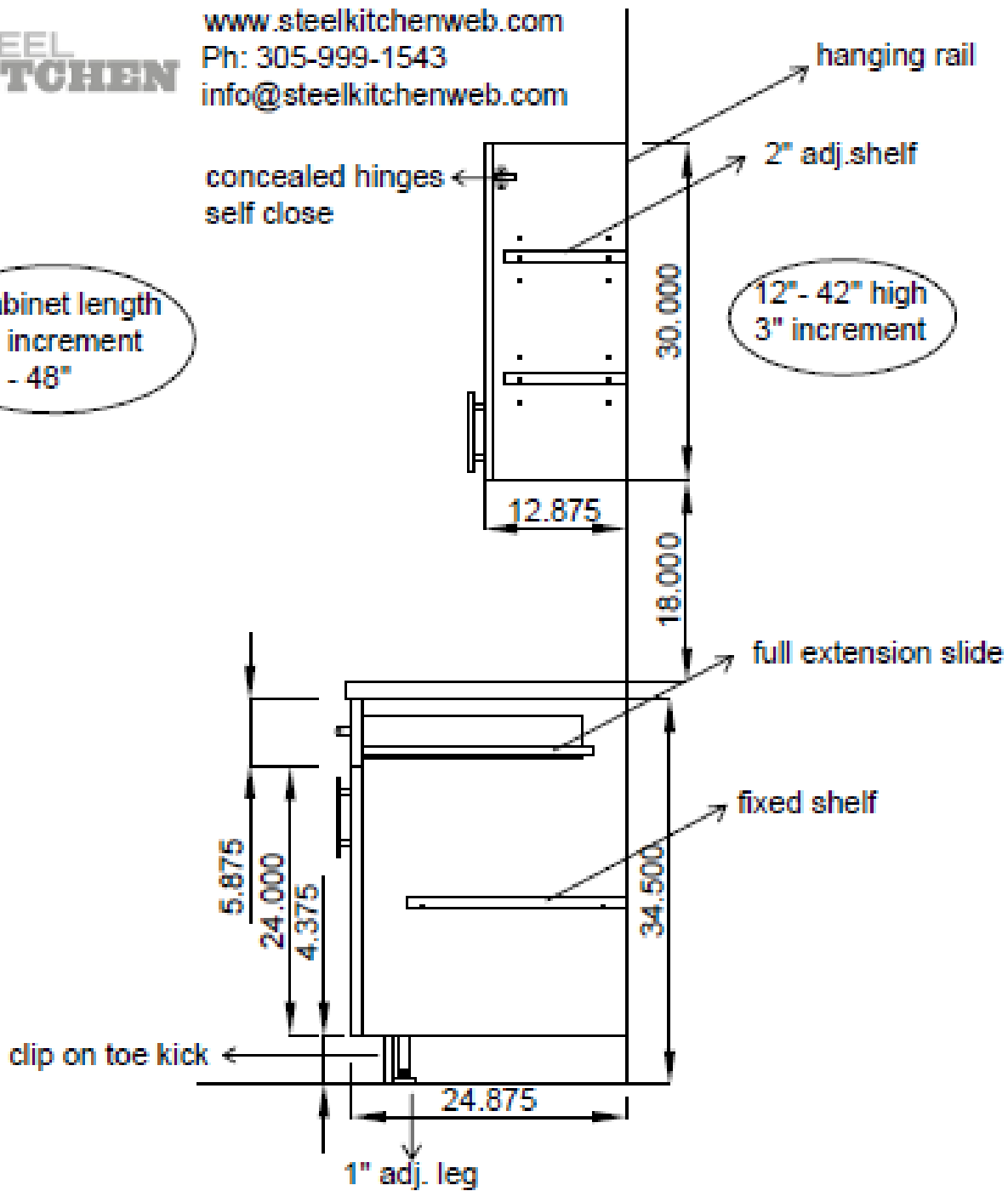
**Customer Support:**

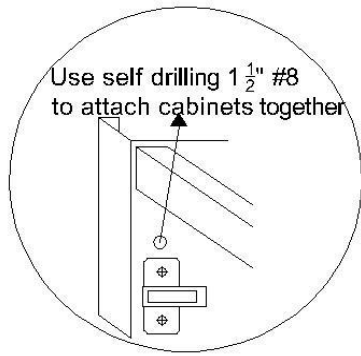
**[www.steelkitchenweb.com](http://www.steelkitchenweb.com)**

**[info@steelkitchenweb.com](mailto:info@steelkitchenweb.com)**

cabinet length  
 3" increment  
 9" - 48"

12" - 42" high  
 3" increment





MOUNTING SCREWS NOT INCLUDED

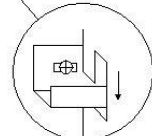
UPPER 30" HIGH CABINET 82 5/8"  
 UPPER 36" HIGH CABINET 88 5/8"  
 UPPER 42" HIGH CABINET 94 5/8"

**WARNING**  
 Do not over tight handle screws

1.500  
 18.000

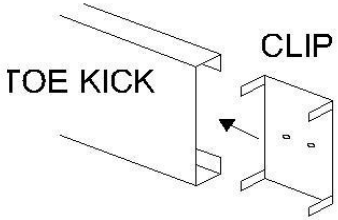
MOUNTING SCREWS NOT INCLUDED

34.500



33 1/8"

FLOOR TO BOTTOM OF HANGING RAIL



SLIDE IN CLIP BEFORE INTALLING TOE KICK.

# Cabinet specification sheet - Indoor

## Material specs:

\* All 304 stainless steel 20 Gauge # 4 brushed finish ( 18 ga. avail.)

## Hardware:

- Stainless Steel Drawers with 20" Accuride full extension slides ( softclose avai.)
- Salice concealed adjustable hinges, opens 120° ( softclose avai. )
- Plastic Leg, 1 ½" adjustable & rated at 250 pounds ea. ( metal legs avai. )
- Stainless steel self drilling screws # 8 x 1/2 & 10 x 5/8
- Stainless steel hanging rail installation system.
- 1/2 by 3/16 clear door bumpers
- Clip on adjustable toe kick

## Shelves:

- Lower Cabinets – removable, not adjustable.
- Upper Cabinets – removable and adjustable.

## Doors:

- Double face with high density foam inside ( foam can be removed if necessary).

## Standard Dimensions:

### Lowers:

- 34 ½" High ( 1 ½" adjustable ). ADA compliance 32 ½" High ( same adj. )
- 24 7/8" Deep, including door ( ¾" thick ).
- 9" – 48" wide with 3" increment.

### Drawers:

- Shallow drawers – 3" high by 20" deep
- Deep drawers – 6" high by 20" deep

### Uppers:

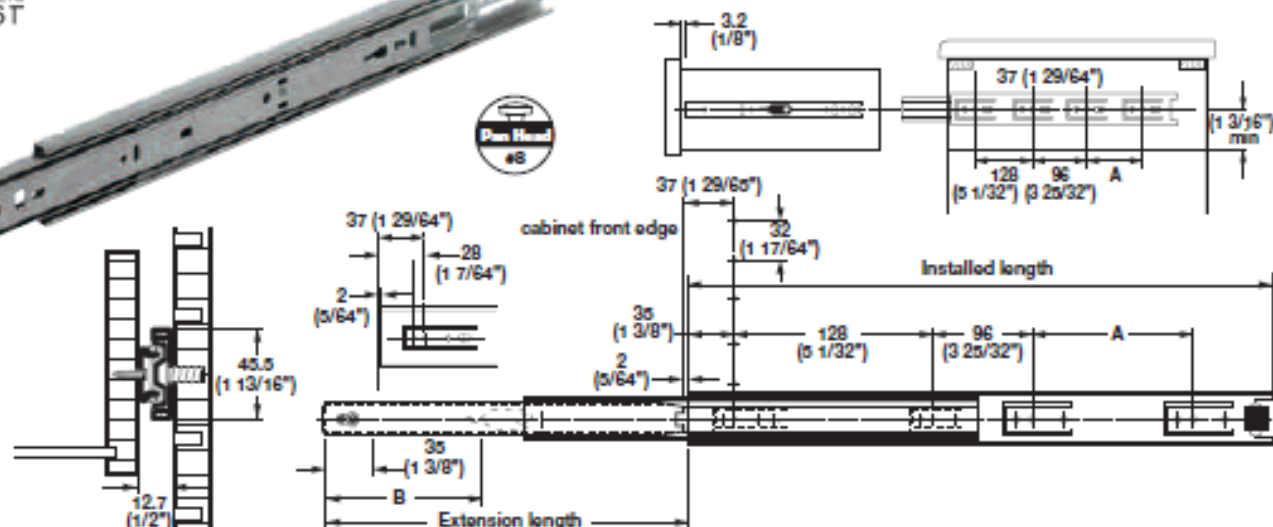
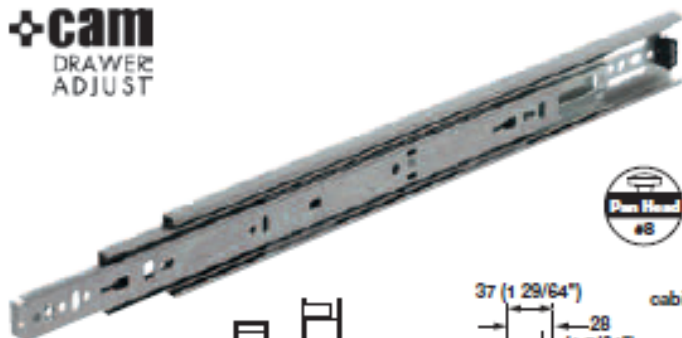
- 12" – 42" high with 3" increment.
- 09" – 48" wide with 3" increment.
- 12 7/8" Deep, including door ( ¾" thick )

If you have questions regarding our products or need technical assistance, please call customer service at 305-999-1543.

**Accuride Full Extension, Telescopic**

Weight capacity max.: 45 kg. (100 lbs./pair)

- For drawers up to 610 mm (24") wide
- Hold-in detent
- Lever disconnect
- BHMA certified to Grade 1 HD-100

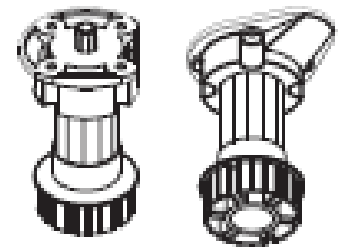


**3832 - Side Mounted**

Material: Steel, zinc-plated or epoxy-coated

Installed and Extension Length	Shop Pack Zinc	Bulk Pack Zinc	Bulk Pack Black	Bulk Pack White	FP Pack Zinc
150 (6")	422.04.152	-	-	-	-
200 (8")	422.04.203	-	-	-	-
250 (10")	422.04.258	422.04.259	422.04.268	422.04.277	422.04.925
300 (12")	422.04.301	422.04.302	422.04.311	422.04.320	422.04.930
350 (14")	422.04.356	422.04.357	422.04.366	422.04.375	422.04.935
400 (16")	422.04.401	422.04.400	422.04.419	422.04.428	422.04.940
450 (18")	422.04.454	422.04.455	422.04.464	422.04.473	422.04.945
500 (20")	422.04.507	422.04.508	422.04.517	422.04.526	422.04.950
550 (22")	422.04.552	422.04.553	422.04.562	422.04.571	422.04.955
600 (24")	422.04.605	422.04.606	422.04.615	422.04.624	422.04.960
650 (26")	422.04.650	422.04.651	422.04.660	422.04.679	422.04.965
700 (28")	422.04.703	422.04.704	422.04.713	422.04.722	422.04.970

- Offers a wider range of adjustment with lower items
- Allows for greater flexibility at installation
- Components ordered separately

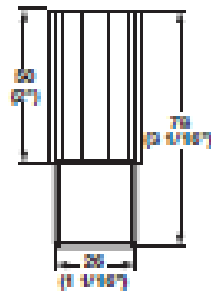
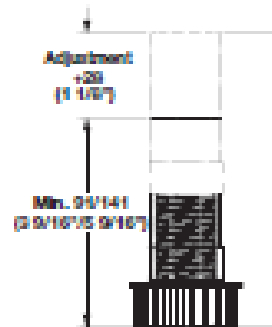


### Adjustment Foot

Shaft Ø30 mm (1 3/16")  
 Weight rating: 250 lbs.

Material: Plastic; Color: black

Base Height	Item No.
91 (3 9/16") - 119 (4 11/16")	637.54.311
141 (5 9/16") - 169 (6 11/16")	637.54.313

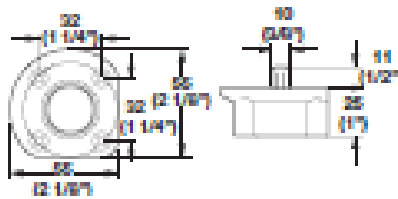


### Extension Tube

- Offers 50 mm (2") of additional height
- Press-fits into adjustable foot tube

Material: Plastic

Color	Item No.
black	637.54.320

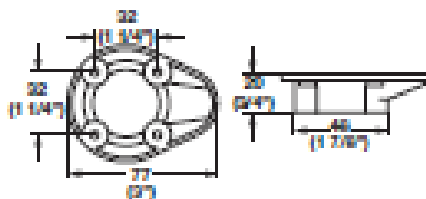


### Mounting Socket

- Dowel-mounted

Material: Plastic

Color	Item No.
black	637.54.330

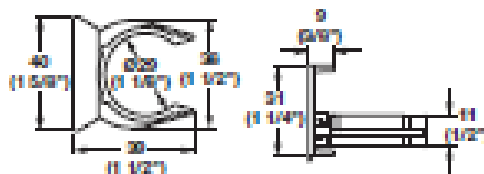


### Mounting Socket

- Screw-mounted

Material: Plastic

Color	Item No.
black	637.54.335



### Plinth Clip

- Screw-mounted to base panel

Material: Plastic

Color	Item No.
black	637.54.340

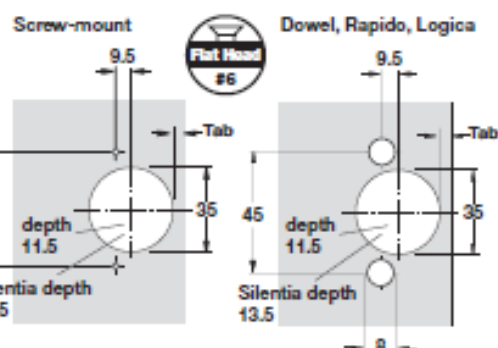
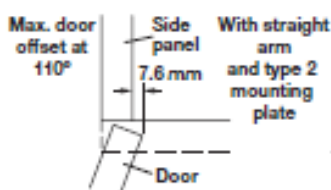
# Concealed Hinges

## Salice

- Door thickness: 16 to 26 mm (5/8" - 1")
- Tab: 3 - 6 mm



*soft&silent*)))



## 200 Series

Material: Steel; Finish: titanium

Opening Angle	Closing Method	Mounting	Overlay	Hinge Arm	Model	Item No.
110°	Self-close	Dowel	Full		C2R6A66	329.17.559
110°	Self-close	Dowel	1/2"		C2R6D66	329.17.568
110°	Self-close	Dowel	Half		C2R6G66	329.17.569
110°	Self-close	Dowel	Inset		C2R6P66	329.17.579
110°	Silentia Soft-close	Dowel	Inset		C7R6PD6	329.17.453
110°	Self-close	Screw	Full		C2P6A66	329.17.508
110°	Self-close	Screw	Half		C2P6G66	329.17.517
110°	Self-close	Screw	Inset		C2P6P66	329.17.521

Material: Steel; Finish: nickel-plated

Opening Angle	Closing Method	Mounting	Overlay	Hinge Arm	Model	Item No.
110°	Self-close	Screw	Full		C2P6A99	329.17.507
110°	Self-close	Screw	1/2"		C2P6D99	329.17.510
110°	Self-close	Screw	Half		C2P6G99	329.17.516
110°	Self-close	Screw	Inset		C2P6P99	329.17.520
110°	Silentia Soft-close	Screw	Full		C7P6AD9	329.17.400
110°	Silentia Soft-close	Screw	1/2"		C7P6DD9	329.17.401
110°	Silentia Soft-close	Screw	Half		C7P6GD9	329.17.402
110°	Silentia Soft-close	Screw	Inset		C7P6PD9	329.17.403
<b>110°</b>	<b>Self-close</b>	<b>Dowel</b>	<b>Full</b>		<b>C2R6A99</b>	<b>329.17.552</b>

# Cabinet specification sheet - Outdoor

## Material specs:

\* All 304 stainless steel 20 Gauge # 4 brushed finish ( 316 s. steel & 18 ga. avail.)

## Hardware:

- Stainless Steel Drawers with 20" Accuride full extension slides weather resistance
- 304 Stainless Steel concealed adjustable hinges, opens 100°
- Plastic Leg, 1 ½" adjustable & rated at 250 pounds ea. ( metal legs avai. )
- Stainless steel self drilling screws # 8 x 1/2 & 10 x 5/8
- Stainless steel hanging rail installation system.
- 1/2 by 3/16 clear door bumpers
- Clip on adjustable toe kick

## Shelves:

- Lower Cabinets – removable, not adjustable.
- Upper Cabinets – removable and adjustable.

## Doors:

- Double face with high density foam inside ( foam can be removed if necessary).

## Standard Dimensions:

### Lowers:

- 34 ½" High ( 1 ½" adjustable ). ADA compliance 32 ½" High ( same adj. )
- 24 7/8" Deep, including door ( ¾" thick ).
- 9" – 48" wide with 3" increment.

### Drawers:

- Shallow drawers – 3" high by 20" deep
- Deep drawers – 6" high by 20" deep

### Uppers:

- 12" – 42" high with 3" increment.
- 09" – 48" wide with 3" increment.
- 12 7/8" Deep, including door ( ¾" thick )

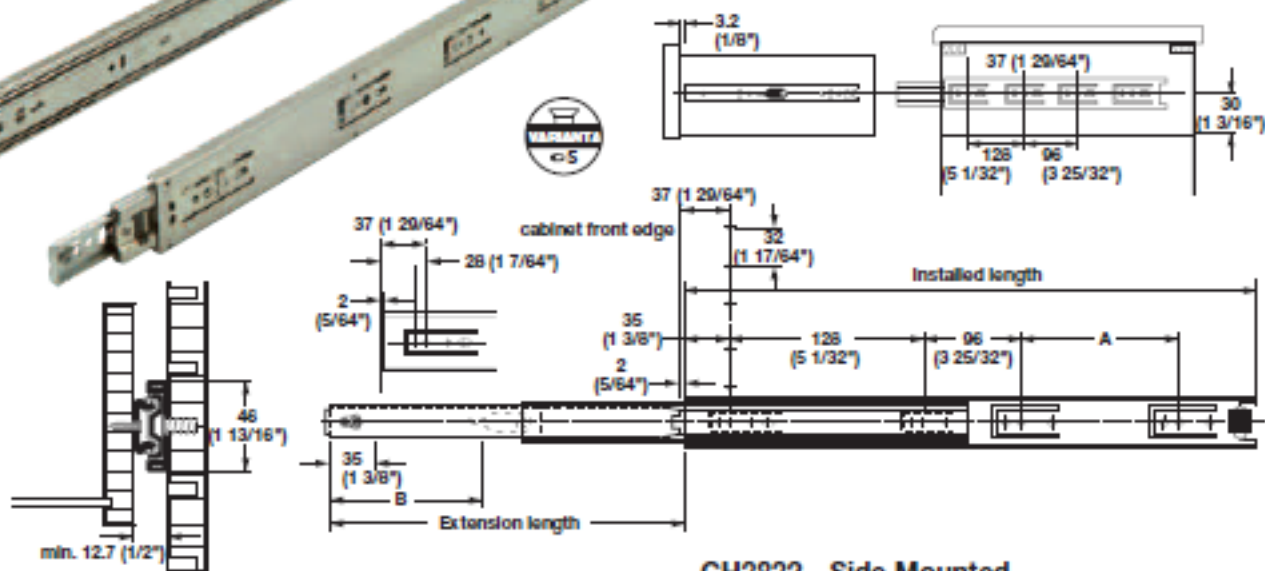
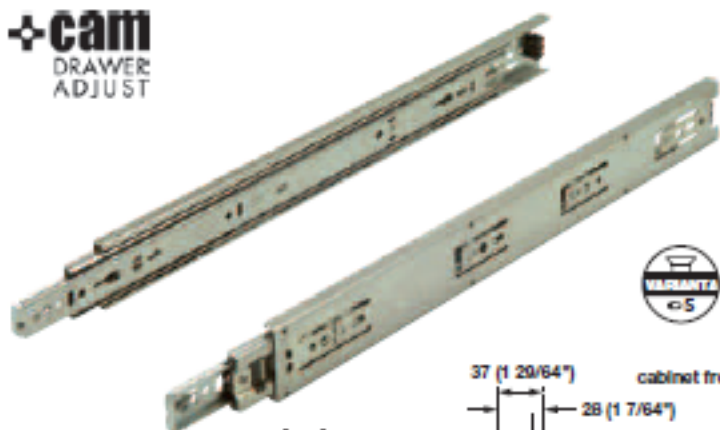
If you have questions regarding our products or need technical assistance, please call customer service at 305-999-1543.



**Accuride Full Extension, Telescopic,  
Weather Resistant**

- Weight capacity: 45 kg (100 lbs./pair)
- For drawers up to 610 mm (24") wide
  - Hold-in detent
  - Lever disconnect
  - Stainless steel ball bearings, retainer and rivets
  - Features low profile for shallow drawers
  - BHMA certified to Grade 1 HD-100
  - Front face frame mounting hole

**OUTDOOR USE ONLY**



**CH3832 - Side Mounted**

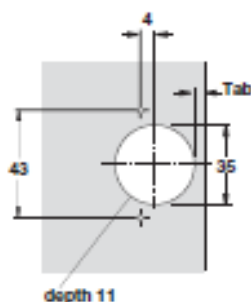
Material: Steel, H-coat

Installed and Extension Length	Item No.
254 (10")	422.04.825
305 (12")	422.04.830
356 (14")	422.04.835
406 (16")	422.04.840
457 (18")	422.04.845
508 (20")	422.04.850
559 (22")	422.04.855
610 (24")	422.04.860

### S-Series

- Pivot pin for hinge arm is steel, sealed against corrosion
- S-Series hinges will only work with S-Series mounting plates
- Door thickness 15 to 20 mm (9/16" - 13/16")
- Side panel thickness from 16 mm (5/8")
- Tab: 3 - 5 mm

Opening angle: **100°**



### Stainless Steel Hinge

- Screw mount
- Self-closing

Material: 304 Stainless Steel, polished

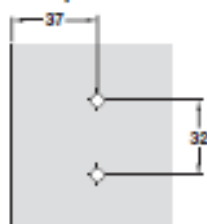
Mounting	Hinge arm	Hinge type	Item No.	
Full overlay		straight	16	327.20.000
Half overlay		9 mm crank	6	327.20.002

#### Supplied With

Stainless Steel screws



#### Hole pattern



### Mounting Plate, flanged

- Screw-mount

Material: 304 Stainless Steel, polished

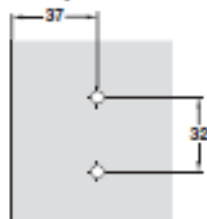
Reinforcement	Hinge type	Item No.
2	2	327.30.000

#### Supplied With

Stainless Steel screws



#### Hole pattern



### Mounting Plate, flanged

- Screw-mount, with vertical adjustment in oblong mounting holes

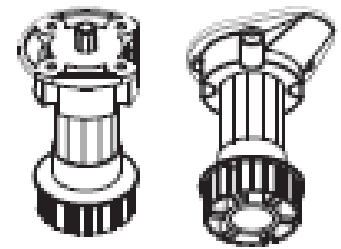
Material: 304 Stainless Steel, polished

Reinforcement	Hinge type	Item No.
2	2	327.30.030

#### Supplied With

Stainless Steel screws

- Offers a wider range of adjustment with lower items
- Allows for greater flexibility at installation
- Components ordered separately

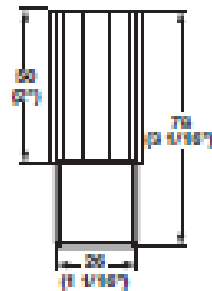
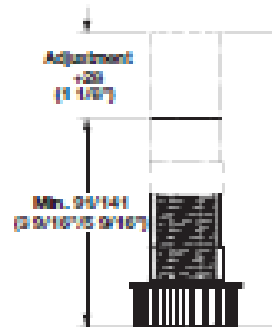


### Adjustment Foot

Shaft Ø30 mm (1 3/16")  
 Weight rating: 250 lbs.

Material: Plastic; Color: black

Base Height	Item No.
91 (3 9/16") - 119 (4 11/16")	637.54.311
141 (5 9/16") - 169 (6 11/16")	637.54.313

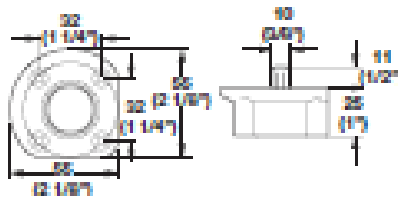


### Extension Tube

- Offers 50 mm (2") of additional height
- Press-fits into adjustable foot tube

Material: Plastic

Color	Item No.
black	637.54.320

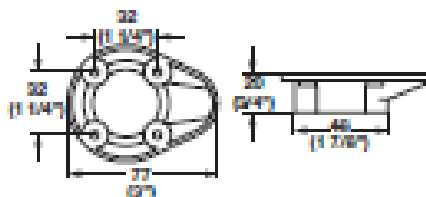


### Mounting Socket

- Dowel-mounted

Material: Plastic

Color	Item No.
black	637.54.330

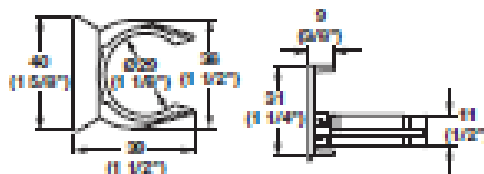


### Mounting Socket

- Screw-mounted

Material: Plastic

Color	Item No.
black	637.54.335



### Plinth Clip

- Screw-mounted to base panel

Material: Plastic

Color	Item No.
black	637.54.340